

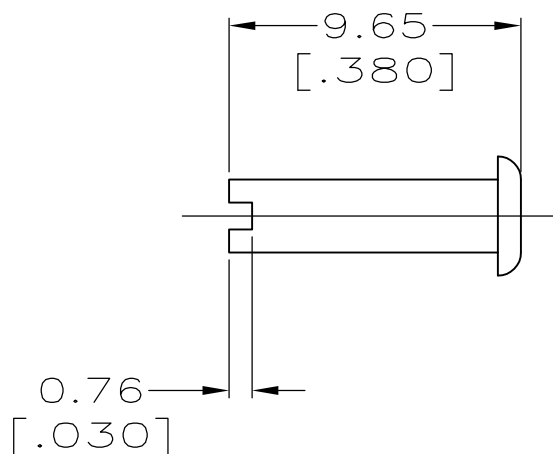
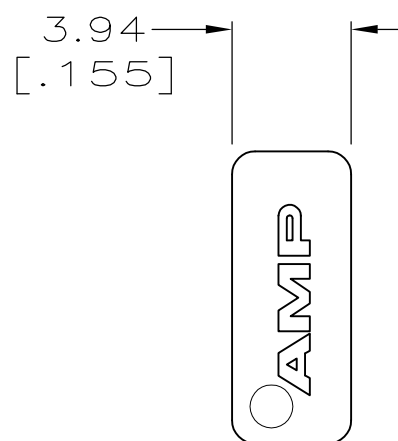
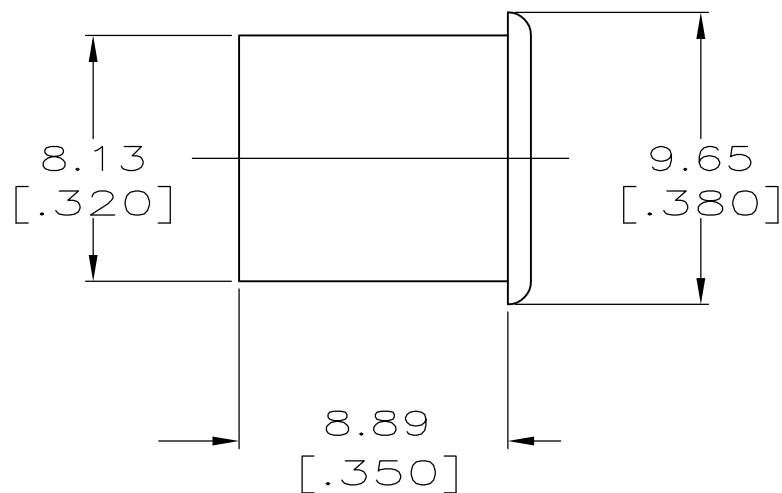
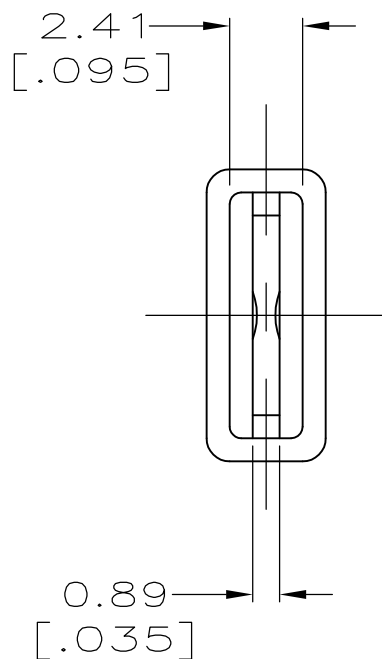
THIS DRAWING IS UNPUBLISHED. RELEASED FOR PUBLICATION

© COPYRIGHT BY TYCO ELECTRONICS CORPORATION. ALL RIGHTS RESERVED.

LOC AF DIST 50

REVISIONS

P	LTR	DESCRIPTION	DATE	DWN	APVD
	D1	REV PER ECR 07-014995	09OCT07	JR	PD



1 TO FIT ANY STANDARD 6.35 [.250] SERIES TAB 0.81 [.032] THICK.

2 PRELIMINARY - NOT FOR PRODUCTION

COLOR	MATERIAL	PART NO.
NATURAL	NYLON 6/6, V0	360042-3
BLACK	NYLON 6/6, V2	360042-2
NATURAL	NYLON 6/6, V2	360042-1

THIS DRAWING IS A CONTROLLED DOCUMENT.		DWN JR RUTH 12/15/98	Tyco Electronics Corporation Harrisburg, Pa 17105-3608	
DIMENSIONS: mm	TOLERANCES UNLESS OTHERWISE SPECIFIED:	CHK MS FEHER 12/15/98	NAME CAP, TAB, 6.35 [.250] SERIES	
	0 PLC ± -	APVD S UNGER 12/15/98	PRODUCT SPEC	
	1 PLC ± -	PRODUCT SPEC	-	
	2 PLC ± 0.38 [.015]	APPLICATION SPEC	-	
	3 PLC ± -	WEIGHT	-	
	4 PLC ± -	SIZE	CAGE CODE	DRAWING NO
	ANGLES ± -	RESTRICTED TO		
MATERIAL SEE TABLE	FINISH SEE TABLE	SCALE	SHEET	REV
		4:1	1 OF 1	D1